



domat
MEMBER OF CEZ ESCO

IPCT.1

Industrial PC with 8" touchscreen



Summary

A PC-based control unit PC to be used with the domat I/O modules, plastic front panel, 8" (20 cm) touch screen 800 × 600 pixels. Two or three serial ports, 2 × USB, Ethernet. Fanless construction.

Applications

- Residential and industrial control unit

Functions

The IPCT.1 is the most comfortable way to supervise and control the domat I/O modules plant. Configurable serial ports make interfacing the plant fast and easy while the Ethernet port enables taking advantage of progressive network functionality. Thanks to the USB ports, standard peripherals can be used.

The application can be controlled via a touch panel while standard keyboard and mouse may be connected as well over USB.

Robust fanless construction with passive processor cooling provide reliable, noiseless operation so that IPCT.1 can be installed in residential buildings. The unit can be mounted in an aperture so that only the frame and LCD touchscreen are visible. Metal clamps are included in the delivery. Ensure that sufficient air circulation is provided. For proper galvanic separation of the I/O bus, use domat R012 converter.

See *domat - Technical application notes* for connection and application examples.

Technical data**System**

Processor	Intel Celeron N2930 (1.83 GHz) CPU built-in
System Chipset	SoC
System Memory	4 GB DDR3L 1600 MHz on board

I/O port

USB	2 × USB 3.0 typ A
Serial	1 × RS-232/422/485 DB-9, COM1, Default RS-232 1 × RS-232 DB-9, COM2
Audio	1 × line out phone jack
LAN	2 × GbE RJ-45
Power	3 pins terminal block connector, DC Power input 1 × 2-pin connector for power on/off button

Storage Space

HDD	1 × MO-297 SATA SSD 32 GB
Movable device	1 × internal SD slot

Expansion

Expansion Slot	1 × internal Mini-PCIe full size
----------------	----------------------------------

Display

Display Type	8" TFT-LCD
Max. Resolution	800 × 600
Max. Color	16.2 M
Luminance (cd/m ²)	1000
Viewing Angle (Degree)	140/125
Backlight Lifetime	40 000 hours

Touch screen

Type	projected capacitive touch
Light Transmission (%)	90 %
Power	
Power Input	9...36 V DC
Power Consumption	Max: 28 W
Power Supply	12 V, 5 A (supplied)

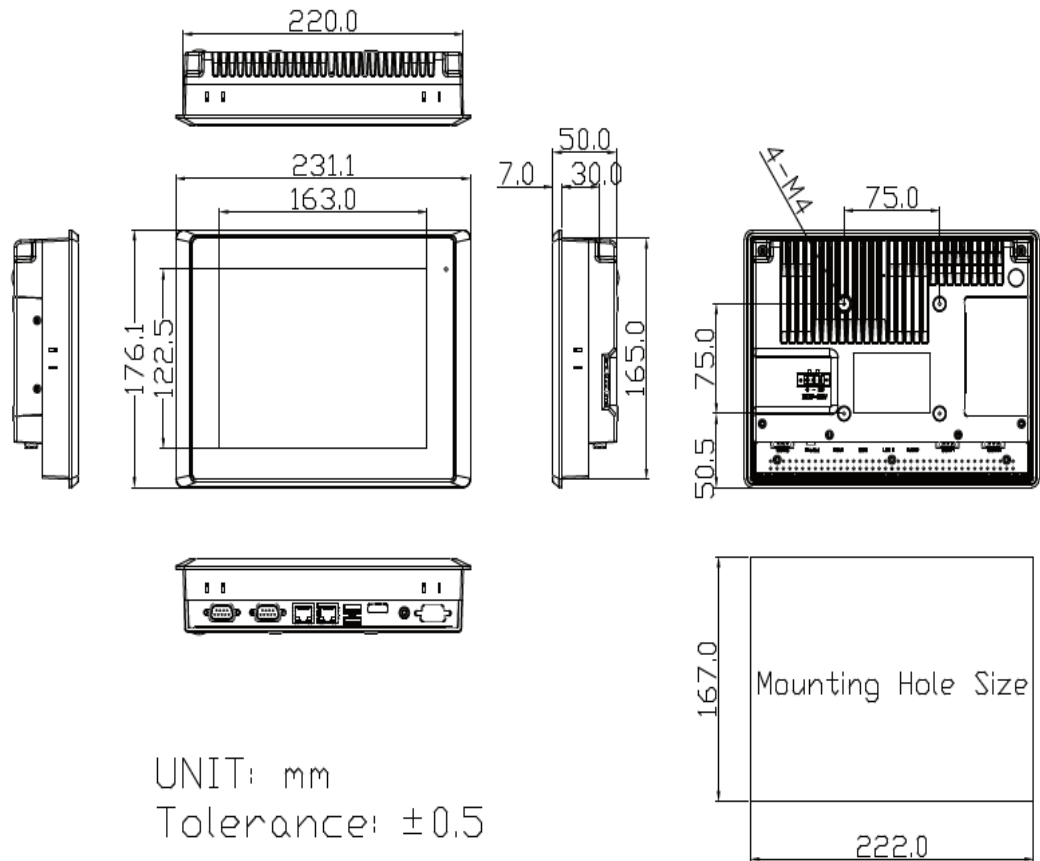
Mechanical

Construction	Sliver aluminum front bezel and chassis
IP Rating	IP66 (front panel)
Mounting	Panel mounting, VESA 75 × 75
Dimensions (W × H × D)	231.1 mm × 176.1 mm × 50 mm
Net Weight	1.9 Kg

Environmental

Operating Temperature	0...50 °C, -20...60 °C (option)
Storage Temperature	-20...60 °C
Storage Humidity	10...90 % at 40°C, non-condensing
Certificate	CE / FCC Class A
Supplied OS, SW (on SSD)	Windows 7 Embedded, Windows 10 IoT include Runtime SoftPLC

Dimensions



Dimensions are in *mm*.

WEEE notice The device contains a non-rechargeable battery which backups the real-time clock and part of the memory. After the device is not operable, please return it to the manufacturer or dispose of it in compliance with local regulations.

Safety notice The device is designed for monitoring and control of heating, ventilation, and air conditioning systems. It must not be used for protection of persons against health risks or death, as a safety element, or in applications where its failure could lead to physical or property damage or environmental damage. All risks related to device operation must be considered together with design, installation, and operation of the entire control system which the device is part of.

**Changes in
versions**

06/2020 – First datasheet version.

08/2021 – Stylistic adjustments.