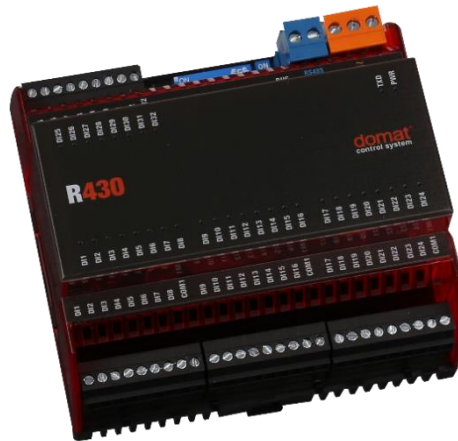


R430

32 digital input module



Summary

The R430 digital input module is a microprocessor-controlled, communicative 32 binary inputs module. The module uses a RS485 bus with Modbus RTU, and can be easily integrated in a variety of supervision and control systems.

Application

- HVAC and industrial control systems – binary signal acquisition

Function

The inputs are designed for small voltage up to 50 V DC, 30 V AC. Inputs DI1 to DI24 have common ground – GND1. Inputs DI25 to DI32 have common ground – GND2. The GNDx terminals are not interconnected inside of the module and therefore each of them may host another potential. The inputs are optically separated from the rest of the circuitry.

The module communicates by means of a optically insulated RS485 data bus. The communication protocol ensures smooth and easy integration in a number of control and data acquisition systems. Removable connectors are used for incoming and outgoing data line so that mounting is fast and easy. As some communication cables include more pairs in one cable, free cores may be used for powering the module. The module is installed on a DIN rail.

The communication circuits are protected against overvoltage. If the module is terminating the communication bus, i.e. it is the last in line, a terminating 120 Ω resistor may be switched on by short-circuiting of the BUS END DIP switches (1, 2). Two LEDs located inside of the housing enable fast diagnostics – power up and communication. 32 LEDs at the inputs indicate the status of each of the inputs separately.

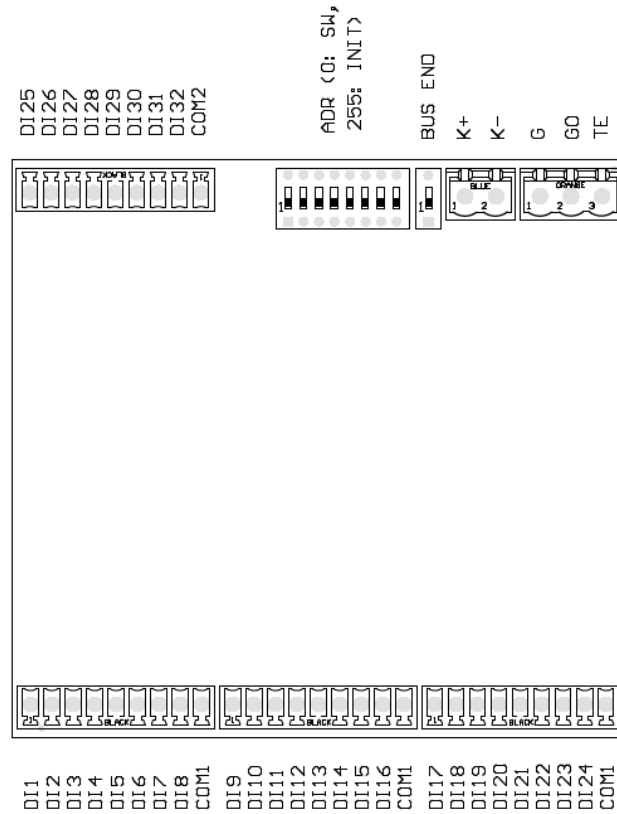
All settings are stored in a EEPROM. The module is equipped by a watchdog.

See *domat - Technical application notes* for connection examples.

Technical data

Power	24 V AC/DC ± 20 %
Consumption	1 W
Communication	Modbus RTU RS485, 1200...115200 bit/s
Galvanic isolation	1 kV
Max. bus length	1200 m
Max. amount of modules on the bus	256
Number of digital inputs	32 × digital input (logical zero is <5 VAC/DC, logical one is >18 VAC/DC, 7 mA)
Software	ModComTool 4.2.3.9 or higher parameters setting, Merbon IDE, SoftPLC IDE – predefined Modbus devices
Housing	polycarbonate box (certification UL94V0) Elbox 6
Terminals	screw terminals M3 (bus, power), M2 (digital inputs)
Dimensions	105.6 × 98.7 × 64 mm
Protection degree	IP20 (EN 60529)
Recommended wire	0.14...1.5 mm ²
Ambient temperature	external conditions: -5...45 °C; 5...95 % relative humidity; non-condensing gases and chemically non-aggressive conditions (according to EN 60721-3-3 climatic class 3K5) storage: -5...45 °C; 5...95 % relative humidity; non- condensing gases and chemically non-aggressive conditions (according to EN 60721-3-1 climatic class 1K3)
Standards conformity	EMC EN 61000-6-2 ed.3:2005, EN 61000-6-4 ed.2:2006 + A1:2010 (industrial environment) electrical safety EN 60950-1 ed.2:2006 + A11:2009 + A12:2011 + A1:2010 + A2:2014 + Opr.1:2012 + Z1:2016 hazardous substances reduction EN 50581:2012

Terminals



Terminals and connectors

RS485 K+	port COM - serial link RS485, terminals K+
RS485 K-	port COM - serial link RS485, terminals K-
G	G power supply
G0	G0 power supply
TE	optional connection for shielding, technical ground
COM1	common terminals for DI1...DI24
COM2	common terminal for DI25...DI32
DI1 ... DI32	inputs 1...32

LED indication

RUN	orange LED – system cycle (OK: LED flashes periodically 1 s ON, 1 s OFF; ERROR: LED flashes in other pattern, LED is still ON or OFF)
TxD	red LED – RS485 transmitting data at COM (flashing: transmitting data; OFF: no data traffic)
PWR	green LED – power supply (ON: power OK; OFF: no power applied, weak or damaged power supply, ...)

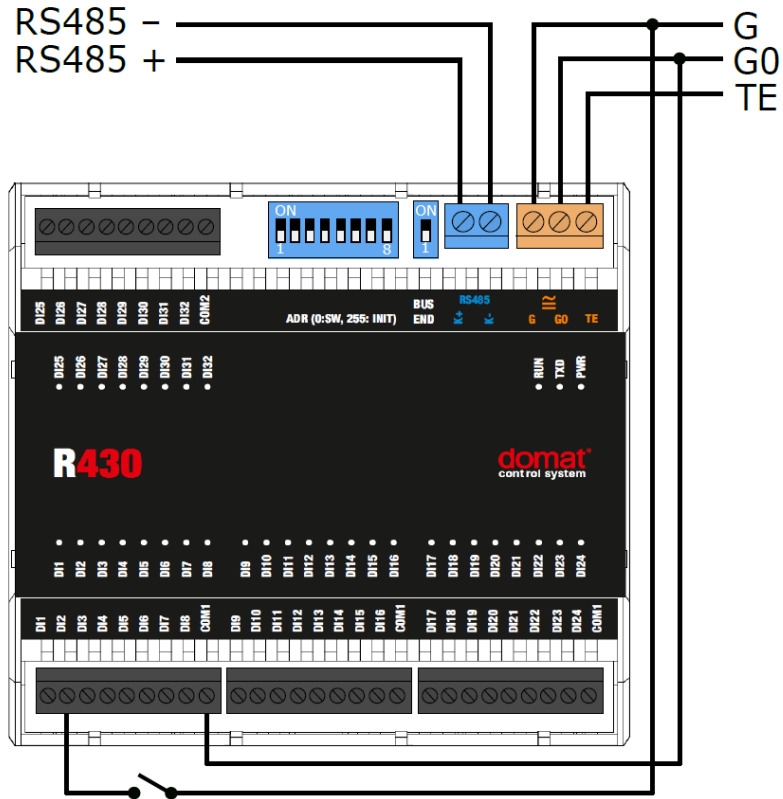
DIP switches

ADR	AUTO – if all switches are OFF, the address is used according to Modbus register 4 LSB USER – address is set by DIP switches configuration INIT - if are all switches ON at power-up, configuration parameters are set to defaults DIP 8 = bit 0; switches increase their bit weight from right to left, see below
------------	--

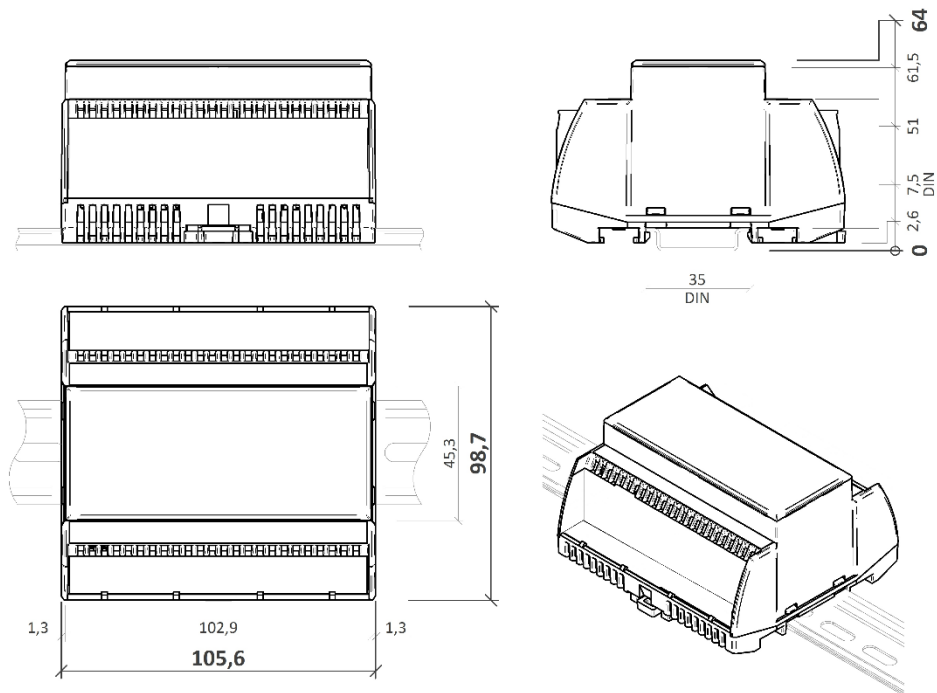
BUS END

Switch for bus RS485 termination (located at the RS485 connector); ON = bus end; the first and last devices on bus should have bus end ON

Connection



Dimensions

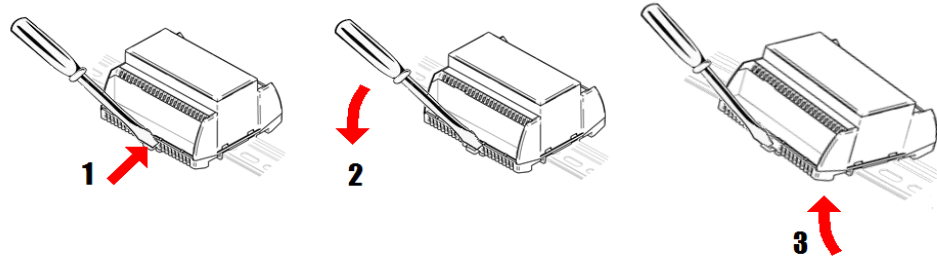


Dimensions are in mm.

Installation

The R430 module is fixed by snapping on standard DIN rail.

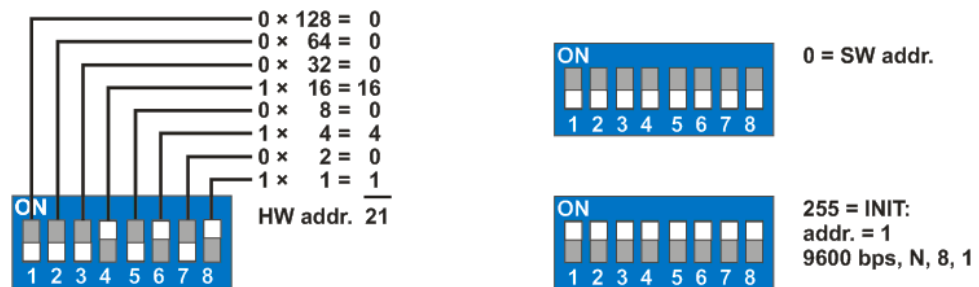
When removing the module from the DIN rail proceed as follows: Place a screwdriver in the plastic slot which is in the middle of bottom part of the module (1). Then push the screwdriver upwards (2). After that, the module can be removed by tilting it upwards (3).



Addressing

The Modbus address can be set as follows:

- **hardwarewise:** using DIP switches. The switches increase their bit weight from right to left, see image with example where address of 21 is set by activation of switches 4, 6, and 8 with bit weight of 16, 4, and 1 respectively. Valid settable range is 1 to 254. Address 0 (all switches OFF) means that the address is set as entered in the Modbus table. Address 255 (all switches ON) brings the module to INIT mode, where Modbus address is 1 and communication parameters are set to N, 8, 1, see image below. All changes apply after the module is switched off and on again.



- **softwarewise** using the ModComTool software, available for free at www.domat.cz. The default address (factory setting) is 1, default communication parameters are 9600, 8, N, 1. Parity and stopbits can be set in Modbus register 1005 LSB.

The software address is only active if the hardware addressing switch is set to 0.

All changes apply after the module is switched off and on again.

Safety note

The device is designed for monitoring and control of heating, ventilation, and air conditioning systems. It must not be used for protection of persons against health risks or death, as a safety element, or in applications where its failure could lead to physical or property damage or environmental damage. All risks related to device operation must be considered together with design, installation, and operation of the entire control system which the device is part of.

**Changes in
versions**

09/2017 – First datasheet version.

06/2018 – Minor changes, *Safety note* added.

08/2021 – Stylistic adjustments, change of logo.