



domat

MEMBER OF CEZ ESCO

UC120

Communicative heating controller 0...10 V output



Summary

UC120 is a communicative room heating controller with two binary inputs and one 0...10 V DC output for control of a radiator or electrical heater. It can work autonomously, or in connection to a primary controller (MiniPLC or SoftPLC) or building management system (RcWare Vision or any SCADA).

UC120 – basic version with display and knob.

UC120/DK – version without display and knob.

UC120 controller can be supplied with fw supporting split AO, if you want this variant, please contact sales@domat.cz

Application

- **Systems with radiators, electric heaters, or floor heating – control and measuring of room temperature**
- **monitoring and communication of room temperatures**

Function

The controller reads actual room temperature, setpoint shift by a knob, and set operation status which is set by short push of the knob. The room temperature is measured in the range of -20...50 °C. Measured and set values are processed in a PI algorithm, brought to one 0...10 V DC output. All values are displayed on a large LCD display.

The functionality and control parameters, i.e. P and I constants, and hysteresis, can be set with **ModComTool**, the configuration software, which is free to download at <http://domat-int.com/en/downloads/software>.

The controller contains real time clock with a weekly scheduler (6 events per day). It changes between three operation modes: Day, Night, and Off. A short push in the Night mode switches to Party mode – Comfort extension by 2 hours.

Analogue output AO1 can be split (AO range split, reg. 26 bit 3) for heating and cooling for controlling of 6-way valves (0...10 V). Range of analog outputs are splitted in two parts. One for heating and another for cooling. Limits for both parts of divided range can be set, default values are 0.5...4.5 V = 100...0 % for heating and 5.5...9.5 V = 0...100 % for cooling). If no heating nor cooling is active, the output is in the dead band

between heat 0 and cool 0. Value of the output then is 5 V. This function is by default setting **turned-on in UC120 with fw10101 and turned-off in UC120 with fw10102**. Other fw versions do not support this function.

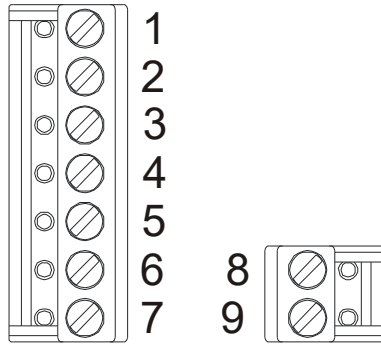
The Change-over function (communicated over the bus) switches to the cooling mode while cooling setpoints come into effect. This mode is used when heat pumps with change-over mode are installed. The change-over signal is read from the heat pump interface or a thermostat at the supply water piping, and is transmitted to the controllers over MiniPLC, UCWEB, or any Modbus master. See *Room units and controllers, Communication protocol description* handbook for register addressing and communication examples.

The communication bus is Modbus RTU over RS485, therefore the controllers are easily to integrate into any SCADA or BMS system. Protocol description is available in a separate document.

Technical data

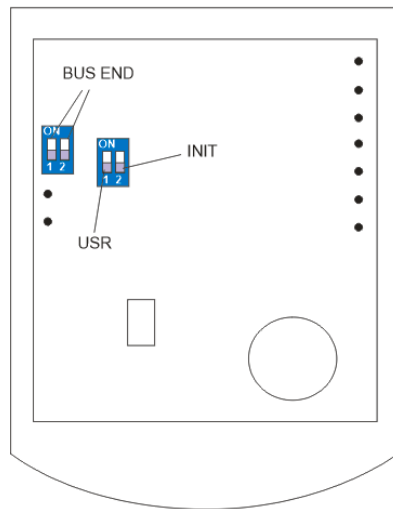
Power	16...35 V DC (typical 24 V DC)
Consumption	1400 mVA
Measuring range	-20...70 °C
Protection	IP20
Sensor accuracy	±1.5 K (with software correction)
Inputs	for dry contact
Input current	2.4 mA
Input voltage	24 V DC, derived from the power voltage
Output	1x 0...10 V DC
Maximum output current	10 mA (corresponding to 1 kOhm load)
Short-circuit current	50 mA, tolerant to permanent short-circuit
Resolution	10 bit D/A converter
Setpoint correction	according to configuration, ±10 to ±1 K
Communication	2 wire RS485 - Modbus RTU slave
RS485 separation	optically separated up to 1000 V
Baud rate	selectable, 1200...115200 bps
Display	LCD 60 × 60 mm
Terminals	screw terminals for 0.14...1.5 mm ² wires
Cover	ABS, RAL9010
Weight	0.13 kg
Dimensions	see below

Terminals



- 1: DI1 presence input (active when connected to G0)
- 2: DI2 window contact input (active when connected to G0)
- 3: AO1 0...10 V heating output
- 4: G0 power -, output - reference point
- 5: NC not connected
- 6: G0 power -, output - reference point
- 7: G power +

DIP switches



- 8: K- communication RS485 -
 - 9: K+ communication RS485 +
- Back of the PCB

BUS END: if ON, the bus is terminated (if last device on the line)

USR: not used, reserved for future applications

INIT: sets the controller into default state and sets bus address to 1, baud rate to 9600.

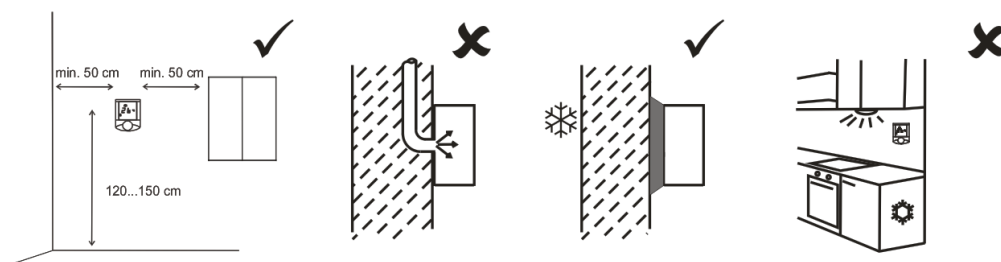
To init, proceed as follows:

- connect the device over RS485 to a PC with ModComTool config tool
- set INIT to ON
- apply power (use only the connector without bottom)
- find the controller in the tool (Scan)

Installation

Units are intended for operating in a normal and chemically non-aggressive environment. They do not need any servicing or maintenance. Install them in a vertical position at places where they can be operated easily and measure correct values of temperature, i.e. in the height of about 150 cm, with no direct sunlight or other heat / cool source (AHU outlets, refrigerator, electrical appliances). The device consists of two parts: bottom with screw terminal block and cover containing PCB, display, and the knob. The bottom part is fixed by 2 or 4 screws to any flat surface or a flush-mounting box \varnothing 60 mm. At the back of the bottom there is an aperture for cabling. The bottom should be installed and cabling connected first, and the upper part inserted after the construction works have been finished to prevent damage to the unit.

Seal the conduits to avoid influencing the sensor by draught. Use insulating pad when installing the sensor on cold walls. Avoid sensor exposition to sunlight or other heat sources.



Opening the cover

When removing the display part, proceed as follows:

- press gently the side parts of the unit and pull the right of the display part by several millimeters
- pull the left of the display part
- pull the display part and remove it from the bottom.

Do not bend the display part too much, the connector pins could be damaged. The locks are only at the sides of the display part, not at the top nor bottom.

Operation

Temperature correction:

Turn the knob clockwise to increase setpoint, turn it counterclockwise to decrease setpoint. The maximum correction range can be modified over the bus e.g. with the ModComTool configuration tool.

Operation mode change:

Push the knob shortly (<1 s). Each push changes the operation mode to Party – Day – Night – Off – Auto.

In the Auto mode, the Day / Night / Off modes change according to time schedule).

The Party mode overrides to Comfort for 120 minutes, then follows the actual time schedule.

The weekly time schedule switches between Day, Night, and Off modes according to the event list. There may be up to 6 events per day.

Time schedule settings:

Switch to the time schedule settings mode with a long push (>1 s). The controller switches to settings mode (clock icon).

Turn the knob to select the weekday (1 to 7). Then short push to confirm the selection. Turn the knob to select the event (large number 1 to 6). Each event displays the mode activated by this event.

Short push to confirm the event selection. Turn the knob to select the operation mode (Day, Night, Off, Event inactive) invoked by this event. If the event is not active, the operation mode is not changed at the set time.

Short push to confirm the operation mode setting. The event time displays. Turn the knob to set the time of the event and confirm by a short push. Then turn the knob to select another event or long push and turn the knob to select another weekday.

After all desired events have been edited, long push to leave the time schedule settings. The controller goes to the basic display mode also after 30 secs of user inactivity.

Change of setpoints and controller time:

Switch to the settings mode with a superlong push (>2.5 s). The controller switches to settings mode (flashing thermometer icon).

Turning the knob selects between following settings:

- Controller time and day of week (Clock icon, Day of week)
- Setpoint temp. Heating Day mode (Temperature, Heating, Day are flashing)
- Setpoint temp. Heating Night mode (Temperature, Heating, Night are flashing)
- Setpoint temp. Heating Off mode (Temperature, Heating, Empty house are flashing)
- Setpoint temp. Cooling Day mode (Temperature, Cooling, Day are flashing)
- Setpoint temp. Cooling Night mode (Temperature, Cooling, Night are flashing)
- Setpoint temp. Cooling Off mode (Temperature, Cooling, Empty house are flashing)

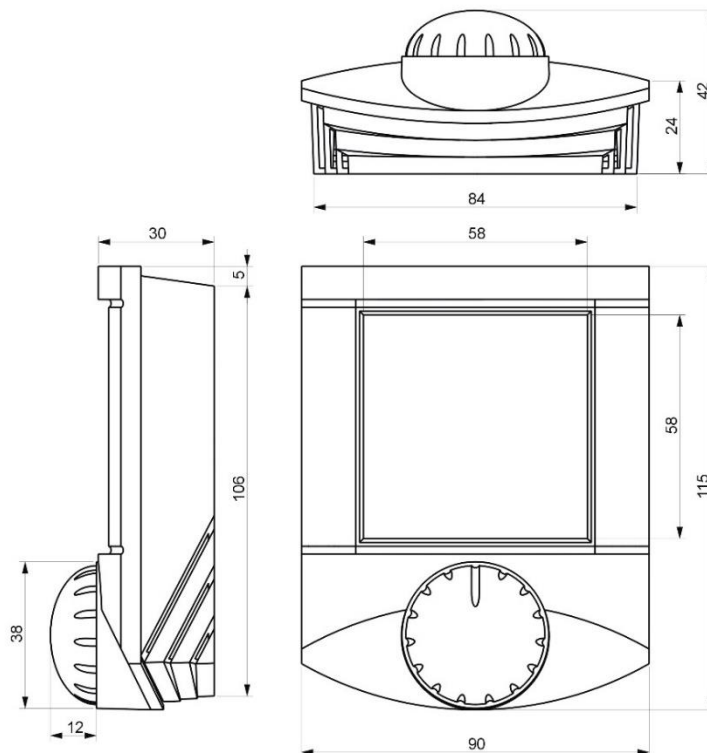
Select the requested value by a short push. Turn knob to change value. Confirm by a short push again.

If there is no user activity for 30 s, the controller goes to the basic display mode.

Default values:

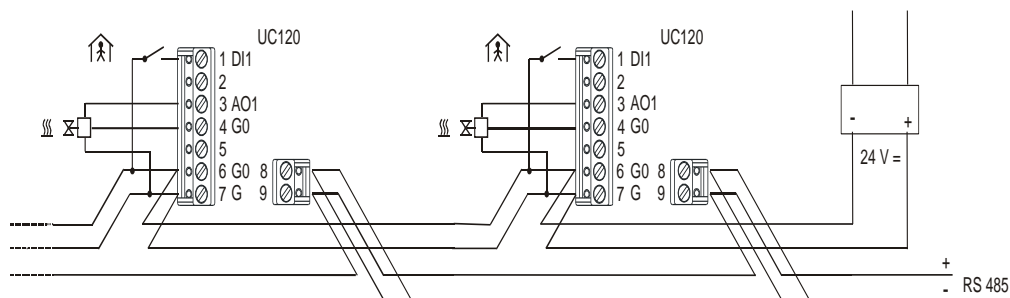
The default values as well as all other settings (PI parameters, address, baudrate...) can be set by the configuration program, ModComTool.

Dimensions



All dimensions in *mm*.

Connection



Connection of power, communication, and valve. Suitable cable types are LAM DATAPAR 2x0.8 (cross-section in mm²), JYTY 2x1 (diameter in mm) etc. If communication and power are in the same cable, use 4-core LAM DATAPAR 2x2x0.8, JYTY 4x1. Up to 100-120 meters, parallel lines of 24 V and data bus are no problem. Regarding to EMC it is better if the pairs are twisted, such as with the LAM DATAPAR or Belden 8205 cable.

A terminal is designed for maximum 3 wires of 0.8 mm².

Temperature compensation

After switching the unit on, allow about 90 mins to dissipate the heat inside of the housing. Then the sensor is measuring correctly. Do not change the sensor correction variable immediately after powering the device on!

WEEE notice

The device contains a non-rechargeable battery which backups the real-time clock and part of the memory. After the device is not operable, please return it to the manufacturer or dispose of it in compliance with local regulations.

Safety note

The device is designed for monitoring and control of heating, ventilation, and air conditioning systems. It must not be used for protection of persons against health risks or death, as a safety element, or in applications where its failure could lead to physical or property damage or environmental damage. All risks related to device operation must be considered together with design, installation, and operation of the entire control system which the device is part of.

Changes in versions

08/2016 – Changed reference to the configuration software.

Added picture and description of the installation and link on the datasheet with other colours.

03/2017 – Added picture and description of the installation and link on the datasheet with other colours.

08/2021 – Added description support of AO split function, added *safety note*, logo changed.

01/2022 – Added description of AO split function settings from fw10102.

10/2023 – Modified description of split AO availability.