

UI300 Communicative room unit



Summary

UI300 is communicative room unit with analogue input for PT1000 sensor, with temperature sensor, humidity sensor, and control knob for setpoint control and other settings. The binary output is controlled either on a remote basis, or as thermostat, hygrostat. The units communicate over Modbus RTU / RS485 and they can be used as open system components with majority of building control system and controllers.

Different versions of unit may contain display, backlight and knob:

UI300 – basic version with display and knob

UI300BL – version with knob and display with backlight

UI300DK – version without knob and display

Application

- Air handling units and air condition in rooms with variable load – schools, cinemas, lecture halls etc.
- Systems with water or electrical floor heating – control and measuring of room temperature
- Monitoring and recording of temperature indoors

Function

The units acquire temperature, and relative humidity in the room, temperature correction (controlled by the knob) and required operation status which is set by short push of the knob or in the menu. In the configurable menu following values can be set and displayed:

- temperature, actual temperature correction
- humidity (actual value only at room units containing the humidity sensor)
- time (only display at room units with RTC)
- basic setpoint - day
- basic setpoint - night
- outside temperature for heating enable
- DHW temperature
- heating curve type (1...4)

- operation mode (Residential with Day, Night, Time schedule, Off, or Hotel / Office with Comfort, Standby, Party, Off)
- fan stage (Auto, Off, St.1, St. 2, St. 3)
- A/C mode (Auto, Heating, Cooling, Off, Fan only)
- weekly scheduler: 7 days, up to 6 events per day
- another 5 variables (air quality, fan speed etc.) – each has a profile where max. and min. values, step, number of decimals, and symbol set are defined.

It is also possible to set / reset any of the LCD symbols on the display over Modbus. The turn / push knob has three basic functions:

- instant edit (turning the knob) – settings of one predefined analogue value, usually room temperature correction
- quick edit (short push) – change of predefined state, e.g. Presence (Comfort / Standby / Off), Air condition (Auto / Heating / Cooling / Fan only / Off) etc.
- long push – jump to menu where values are listed by turning the knob, short push selects the value to be edited, and the value is changed by turning the knob followed by short push for confirmation.

After definable inactivity time, the display goes back to its basic state with rolling display of selected values (e.g. actual temperature and humidity).

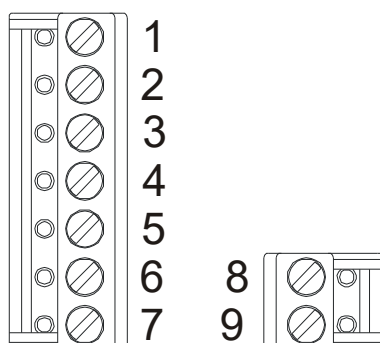
The unit Modbus address and functionality is defined over the RS485 interface with service software **ModComTool** which is free for download at <http://domat-int.com/en/downloads/software> To interface the room unit to the computer use the USB/485 converter **M080/R080**, RS232/RS485 converter R012, or any suitable RS485 converter.

Technical data

Power supply	24 V AC $\pm 20\%$, 1.5 W
Temperature measuring range	-20 ... 55 °C (accuracy ± 1 °C)
Humidity measuring range	10 ... 90 % rH (accuracy ± 3 %)
Protection degree	IP20
Inputs	1x digital input for presence /window contact 1x analogue input for external temperature sensor Pt1000
Outputs	1x solid state relay, zero switching, for AC load 24 V AC, max. 0.4 A, AC1, general usage, non-inductive load according to EN 60947-4-1, galvanic isolation 1 kV
Setpoint	according to configuration, ± 10 to ± 1 K
Communication	RS485 - Modbus RTU, slave selectable speed 1200 ... 115200 bps, parity and bits are set in service SW default 9600/N/8/1 The interface is optically separated 1 kV.
Display	LCD 60 x 60 mm
Terminals	recommended wire cross-section 0,14 – 1,5 mm ²

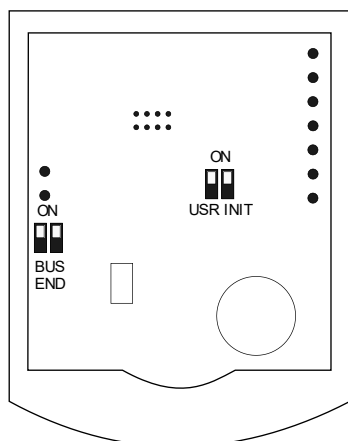
Cover	ABS, RAL9010
Weight	0,17 kg
Dimensions	90 x 115 x 30 mm, see below
Ambient conditions	According to class 3K3 (+5 to +45 °C, 5% to 95% non-condensing relative humidity).
Storage conditions	According to DIN EN 60721-3-1 Climatic class 1K3 (-5 to +45 °C, 5% to 95% non-condensing relative humidity).
Standards conformity	EMC EN 61000-6-2 ed.3:2005 + opr.2005-09, EN 61000-6-4 ed.2:2007 + A1:2011 (industrial environment) Electrical safety EN 60950-1 ed.2:2006 + A11:2009 + A12:2011 + A1:2010 + A2:2013 + corr.1:2011-10 Restriction of hazardous substances EN 50581: 2012

Terminals



- 1: AIN external temperature sensor Pt1000
- 2: AGND external temperature sensor Pt1000
- 3: DI1 input (presence/window) activated by connection to G0
- 4: DO1 output for heating valve
- 5: G0 power, outputs – common point
- 6: G0 power, outputs – common point
- 7: G power
- 8: K- communication RS485 -
- 9: K+ communication RS485 +

DIP switches



Back of the PCB

BUS END: if ON, the bus is terminated (if last device on the line)

USR: not used, reserved for future applications

INIT: sets the controller into default state and sets bus address to 1, baud rate to 9600. To init, proceed as follows:

- connect the device over RS485 to a PC with the ModComTool config tool
- set INIT to ON
- apply power (use only the connector without bottom)
- find the controller in the tool (Scan)
- set INIT to OFF
- in the ModComTool, open the controller window
- click the Init button in the tool
- remove and apply power.

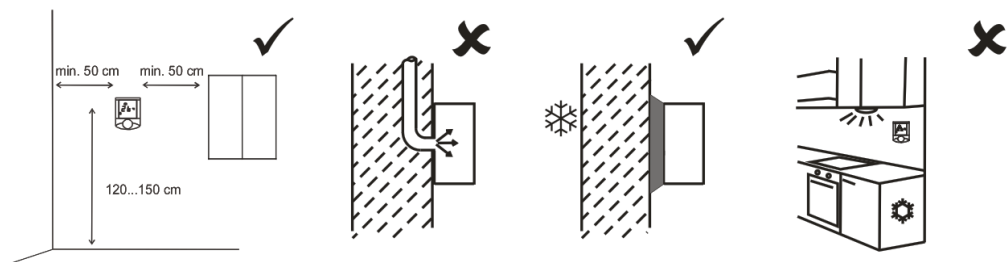
Type table

Type	LCD	Backlight	Knob	DI	DO	AI	t	rH
UI300	✓		✓	1	1	1	✓	✓
UI300BL	✓	✓	✓	1	1	1	✓	✓
UI300DK				1	1	1	✓	✓

Installation

Units are intended for operating in a normal and chemically non-aggressive environment. They do not need any servicing or maintenance. Install them in a vertical position at places where they can be operated easily and measure correct values of temperature, i.e. in the height of about 150 cm, with no direct sunlight or other heat / cool source (AHU outlets, refrigerator, electrical appliances). The device consists of two parts: bottom with screw terminal block and cover containing PCB, display, and the knob. The bottom part is fixed by 2 or 4 screws to any flat surface or a flush-mounting box \varnothing 60 mm. At the back of the bottom there is an aperture for cabling. The bottom should be installed and cabling connected first, and the upper part inserted after the construction works have been finished to prevent damage to the unit.

Seal the conduits to avoid influencing the sensor by draught. Use insulating pad when installing the sensor on cold walls. Avoid sensor exposition to sunlight or other heat sources.

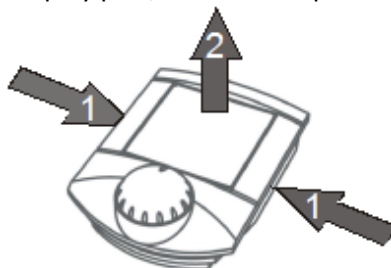


Opening the cover

When removing the display part, proceed as follows:

- press gently the side parts of the unit and pull the right of the display part by several millimeters
- pull the left of the display part
- pull the display part and remove it from the bottom.

Do not bend the display part too much, the connector pins could be damaged. The locks are only at the sides of the display part, not at the top nor bottom.



Communication The units communicate with a controller (master) over RS485 using Modbus RTU and thus they can be used in a number of control and SCADA systems. The register description is available in a separate document *Room units UI... – Communication description*. User manual for domat.exe and detailed description of the room unit functions find in the document *Room units configuration – User manual*.

Display

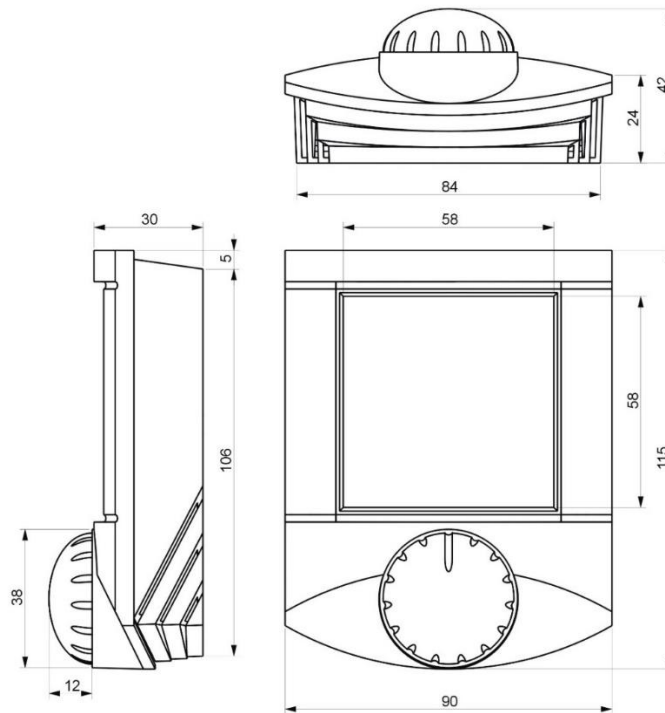


A large (60 x 60 mm) display clearly shows actual room temperature and controller status with 7-segment digits and standard Day, Night, Off, and Time scheduler symbols. Active output is indicated by a heating symbol. In the upper part, there are week days used for time scheduler setup. Other symbols are not used.

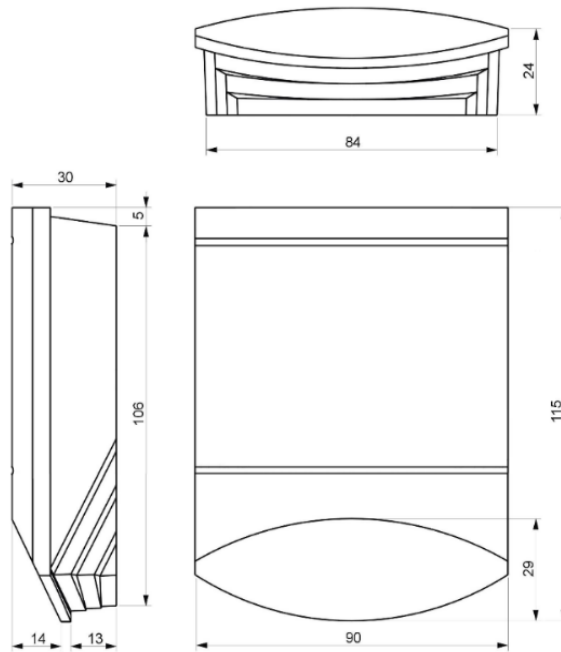
LCD symbol set

Dimensions

UI300, UI300BL



UI300DK



All dimensions in *mm*.

Safety note

The device is designed for monitoring and control of heating, ventilation, and air conditioning systems. It must not be used for protection of persons against health risks or death, as a safety element, or in applications where its failure could lead to physical or property damage or environmental damage. All risks related to device operation must be considered together with design, installation, and operation of the entire control system which the device is part of.

**Changes in
versions**

09/2019 – First datasheet version.
12/2019 – I/O position corrected.
08/2020 - Box Ø corrected.