

UI0xx Communicative room units and sensors



Summary

The UI...(BL) room unit is a family of universal communicative human-machine interface for control of HVAC units and plants, and IRC controllers. The units communicate over Modbus RTU / RS485 and they can be used as open system components with majority of building control system and controllers. Compared to the old series UI0xx, these types contain knob and display with blue colour backlight function and more accurate sensors of temperature and humidity.

According to production type, each version of the unit may contain display, backlight, RTC and IO, see type table below.

All versions of the room units now contain relative humidity measurement. UI04x, UI06x and UI08x series have been replaced.

Application

- systems with fancoils, convectors, floor and radiator heating, AHUs, air conditioning units.
- control of boilers, DHW, heating circuits, building controls in general
- monitoring of room temperature and humidity

Function

The units acquire temperature and optionally relative humidity in the room, temperature correction (knob) and required operation status which is set by push of the button or in the menu. In the configurable menu following values can be set and displayed:

- temperature, actual temperature correction
- humidity (actual value only at room units containing the humidity sensor)
- time (only display at room units with RTC)
- basic setpoint - day
- basic setpoint - night
- outside temperature for heating enable
- DHW temperature
- heating curve type (1...4)
- operation mode (Residential with Day, Night, Time schedule, Off, or Hotel / Office with Comfort, Standby, Party, Off)
- fan stage (Auto, Off, St.1, St. 2, St. 3)
- A/C mode (Auto, Heating, Cooling, Off, Fan only)

- weekly scheduler: 7 days, up to 6 events per day
- another 5 variables (air quality, fan speed etc.) – each has a profile where max. and min. values, step, number of decimals, and symbol set are defined.

It is also possible to set / reset any of the LCD symbols on the display over Modbus.

The turn / push knob has three basic functions:

- instant edit (turning the knob) – settings of one predefined analogue value, usually room temperature correction
- quick edit (short push) – change of predefined state, e.g. Presence (Comfort / Standby / Off), Air condition (Auto / Heating / Cooling / Fan only / Off) etc.
- long push – jump to menu where values are listed by turning the knob, short push selects the value to be edited, and the value is changed by turning the knob followed by short push for confirmation.

After definable inactivity time, the display goes back to its basic state with rolling display of selected values (e.g. actual temperature and humidity).

Backlight function

UI0xxBL type contain knob and display blue colour backlight function. It is possible to set brightness 0-100 % separately for knob and display. If user make some action with knob, display and knob will shine for defined time. All of the backlight functions could be set from Modbus master.

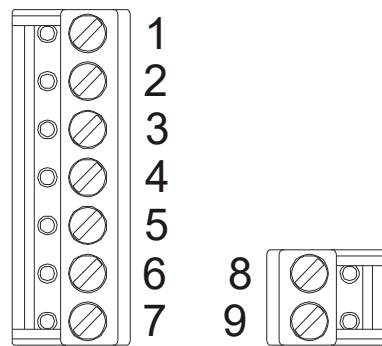
The unit Modbus address and functionality is defined over the RS485 interface with service software **ModComTool** which is free for download at <http://domat-int.com/en/downloads/software>. To interface the room unit to the computer use the USB/485 converter **M080**, RS232/RS485 converter **R012**, or any suitable RS485 converter.

Technical data

Power supply	24 V AC \pm 20%, 1 W
Temperature measuring range	-20 ... 70 °C (accuracy \pm 1 °C)
Humidity measuring range	digital sensor 10 ÷ 90 %rH accuracy \pm 3%
Protection	IP20 (EN 60529)
Inputs (specific types only, see table below)	2x potential-free contact (dry contact) against G0, 24 V AC, 5 mA, max. switching frequency 10 Hz
Outputs (specific types only, see table below)	1x - 2x solid state relay, zero switching, for AC load 24 V AC, max. 0.4 A, AC1, general usage, non-inductive load according to EN 60947-4-1, galvanic isolation 1.5 kV
Setpoint	according to configuration, \pm 10 to \pm 1 K
Communication	RS485 - Modbus RTU, slave selectable speed 1200 ... 115200 bps, parity and bits are set in service SW default 9600/N/8/1 The interface is optically separated 1 kV (except for UI010 and UI010BL).
Display	LCD 60 x 60 mm, symbol set see above

Terminals	recommended wire cross-section 0,14 – 1,5 mm ²
Cover	ABS, RAL9010
Weight	0,13 kg
Dimensions	90 x 115 x 30 mm, see below
Ambient conditions	According to DIN EN 60721-3-3. Climate class 3K5 (-5 to +45 ° C, 5% to 95% RH non-condensing humidity)
Storage conditions	According to DIN EN 60721-3-1 Climatic class 1K3 (-5 to +45 ° C, 5% to 95% non-condensing relative humidity).
Standards conformity	EMC ed.3 EN 61000-6-2: 2005, EN 55022 ed.3: 2010 (industrial environment) Electrical safety EN 60950-1 ed.2: 2006 + A11: 2009 + A12: 2011 + A1: 2010 + A2: 2014 + Opr.1: 2012 Restriction of hazardous substances EN 50581: 2012

Terminals



As seen when removing the display part.

The wiring goes towards the center of the unit so that the cable can be brought through the aperture in the middle of the bottom part.

UI010(BL), UI0x1(BL)

- 1: NC not connected
- 2: NC not connected
- 3: K- communication RS485 -
- 4: K+ communication RS485 +
- 5: G0 power – common point
- 6: G0 power – common point
- 7: G power

- 8: -- connector not installed
- 9: -- connector not installed

UI0x2(BL)

- 1: DI1 input1, activated by connection to G0
- 2: DI2 input2, activated by connection to G0
- 3: DO1 output 1, 24 V AC against G0
- 4: NC not connected
- 5: G0 power, output – common point
- 6: G0 power, output – common point
- 7: G power

8: K- communication RS485 -
 9: K+ communication RS485 +

UI020BL, UI0x5(BL)

1: DI1 input1, activated by connection to G0
 2: DI2 input2, activated by connection to G0
 3: DO1 output 1, 24 V AC against G0
 4: DO2 output 2, 24 V AC against G0
 5: G0 power, outputs, inputs – common point
 6: G0 power, outputs, inputs – common point
 7: G power
 8: K- communication RS485 -
 9: K+ communication RS485 +

Type table

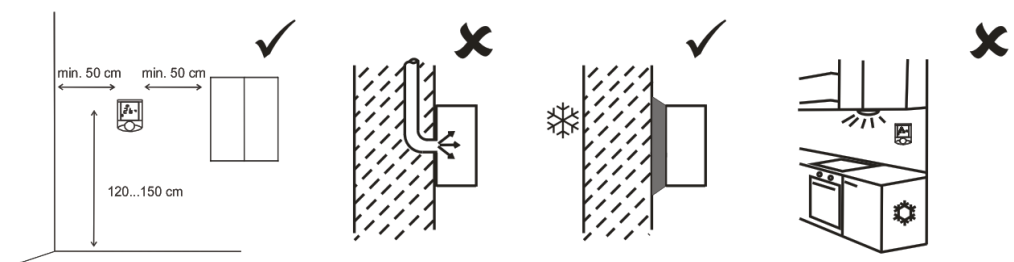
Typ	LCD	Backlight	Knob	DI	DO	t	rH	RTC
UI010	✓		✓	-	-	✓	✓	
UI010BL	✓	✓	✓	-	-	✓	✓	
UI011	✓		✓	-	-	✓	✓	
UI011BL	✓	✓	✓	-	-	✓	✓	
UI012	✓		✓	2	1	✓	✓	✓
UI012BL	✓	✓	✓	2	1	✓	✓	✓
UI020	✓		✓	2	2	✓	✓	✓
UI020BL	✓	✓	✓	2	2	✓	✓	✓
UI051	✓			-	-	✓	✓	
UI051BL	✓	✓		-	-	✓	✓	
UI052	✓			2	1	✓	✓	✓
UI052BL	✓	✓		2	1	✓	✓	✓
UI055	✓			2	2	✓	✓	✓
UI055BL	✓	✓		2	2	✓	✓	✓
UI071				-	-	✓	✓	
UI072				2	1	✓	✓	✓
UI075				2	2	✓	✓	✓

Units without knobs are used as indicators, optionally with remote controlled inputs / outputs. Process control algorithms (activating of the outputs by increased / decreased temperature, humidity etc.) must be implemented in a master controller.

Installation

Units are intended for operating in ordinary and chemically non-aggressive environment. They do not need any servicing or maintenance. Install them in a vertical position at places where they can be operated easily and measure correct values of temperature and humidity, i.e. in the height of about 150 cm, with no direct sunlight or other source heat or cold (AHU outlets, refrigerator, electrical appliances). The device consists of two parts: bottom with screw terminal block and top cover containing PCB, display, and the knob. The bottom part is fixed by 2 or 4 screws to any flat surface or a flush-mounting box \varnothing 60 mm. There is an aperture for cabling in the back of the bottom part. The bottom should be installed and cabling connected first, and the upper part inserted after the construction works have been finished to prevent damage to the unit.

Seal the conduits to avoid influencing the sensor by draught. Use insulating pad when installing the sensor on cold walls. Avoid sensor exposition to sunlight or other sources of heat.



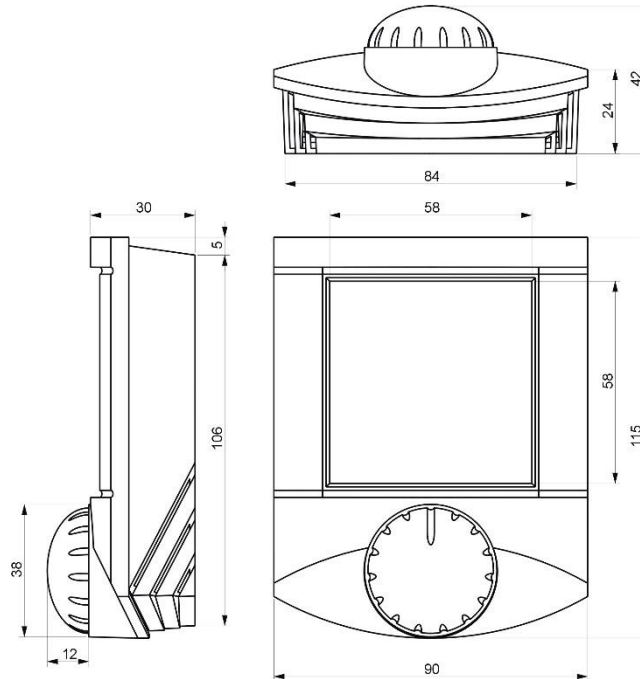
Opening the cover

When removing the display part, proceed as follows:

- press gently the side parts of the unit and pull the right of the display part by several millimeters
- pull the left of the display part
- pull the display part and remove it from the bottom.

Do not bend the display part too much, the connector pins could be damaged. The locks are only at the sides of the display part, not at the top nor bottom.

Dimensions



All dimensions are in *mm*.

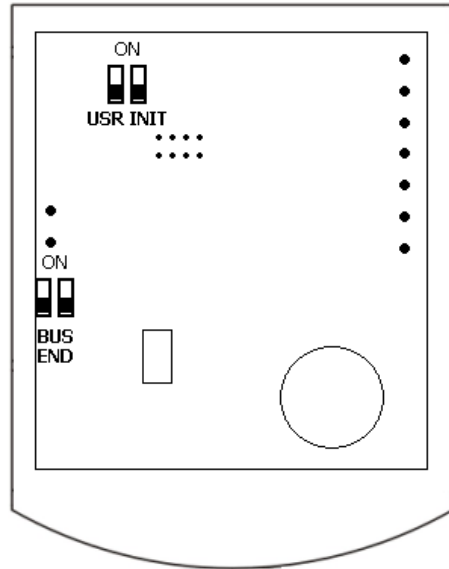
Display



Over Modbus, it is possible to set / reset the complete symbol set except for the 7 segment digits, „Error“ and „Setting“ texts, and symbols of °C, °F, %, and rH. Those are part of the configurable menu profiles. The register description is available in a separate document *Room units UI... – Communication description*.

LCD symbol set (see in the picture).

DIP switches



Back of the PCB

BUS END: if ON, the bus is terminated (if last device on the line)

USR: not used, reserved for future applications

INIT: if ON on power-up, sets the controller into default state and sets bus address to 1, baud rate to 9600.

To set EEPROM into factory settings by INIT, proceed as follows:

- connect the device over RS485 to a PC with the **ModComTool** config tool
- set INIT to ON
- apply power (use only the connector without bottom)
- find the controller in the tool (Scan)
- set INIT to OFF
- in the ModComTool, open the controller window
- click the Init button in the tool
- remove and apply power

RoHS notice

The device contains a non-rechargeable battery which backups the real-time clock and part of the memory. After the device is not operable, please return it to the manufacturer or dispose of it in compliance with local regulations.

Safety note

The device is designed for monitoring and control of heating, ventilation, and air conditioning systems. It must not be used for protection of persons against health risks or death, as a safety element, or in applications where its failure could lead to physical or property damage or environmental damage. All risks related to device operation must be considered together with design, installation, and operation of the entire control system which the device is part of.

**Changes in
version**

01/2017 — The first datasheet version.

03/2017 — Added picture and description of the installation. Corrected information in table types.

07/2017 — Added non-backlight types – summary datasheet

10/2017 — Added Safety note

10/2020 — Box Ø corrected, added max. switching frequency and terminal description