

SHD 692 Differential pressure sensor for liquids and gases



Summary

SHD 692 is a differential pressure transmitter for non-aggressive liquids and gases. The media is separated from the sensor by a piezoceramic element.

Application

- HVAC and industrial applications – measuring, control and registration of pressure in water, brine, air, and other gases. Not suitable for ammoniac and freon!

Function

The piezoresistive element and electronics convert the position deviations of the ceramic element to voltage (0...10V) which is available at the terminals. Media temperatures may reach from -15 to +80 °C.

The sensors are not suitable for ammoniac and freon!

The sensors do not require maintenance. They should be installed so that the condensed water does not cumulate in the electrical connector. Part of delivery is an installation sheet metal angle. Use separation loops for media with higher temperatures.

Technical data




Measuring range	see table
Medium temperature	-15 ÷ +80 °C
Medium contacting parts	stainless steel 1.4305, ceramics, EPDM sealing
Enclosure	stainless steel 1.4305
Process connection	G1/8" – 27 NPT inner thread, for 6 mm pipe
Power	24 V AC (+15 %/ -10 %) 18...33 V DC
Output	0...10V, 3-wire connection
Response time	< 5 ms
Measuring error	< 1.3 %
Terminals	angle connector according to DIN EN 175301-803-A, part of delivery, for wires 0.25...1.5 mm ²
Insulating impedance	> 100 MOhm at 500 V DC and 20 °C
Max. one-side temporary overpressure	see table
Max. temporary overpressure	1,5 x measuring range

Protection class	III (according to EN 60730)
Protection degree	IP65 (according to EN 60529) with connector installed
Dimensions	see below

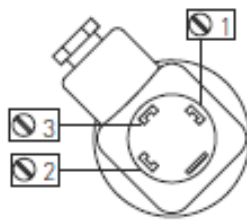
Measuring ranges

Type	Differential pressure range	Max. one-side overpressure
SHD 692-900	0...0,1 bar	0,6 bar
SHD 692-907	0...0,5 bar	3 bar
SHD 692-912	0...1 bar	5 bar
SHD 692-916	0...2,5 bar	12 bar
SHD 692-918	0...4 bar	12 bar

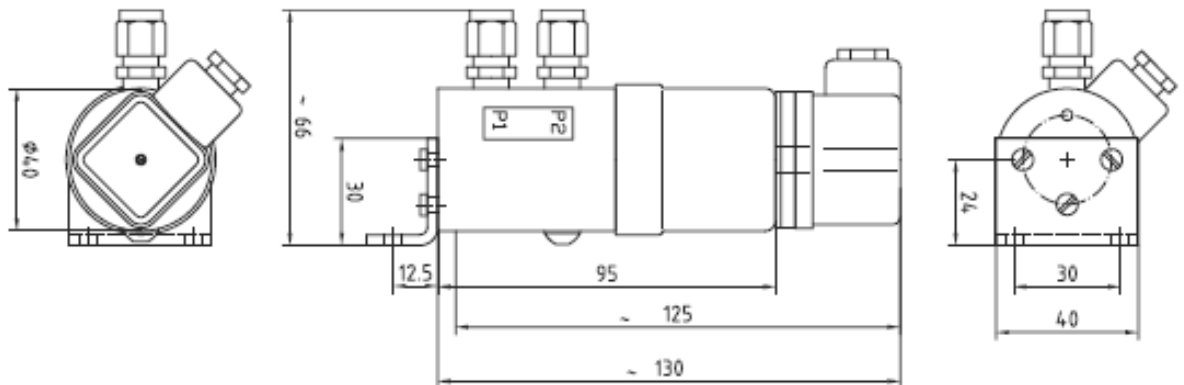
Terminals

	24V AC / 18-33V DC
	Output pressure 0-10V
	GND

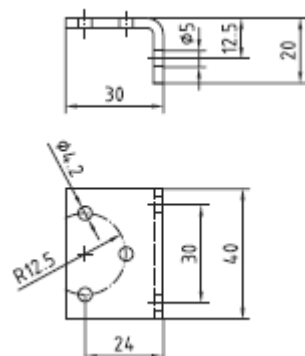
- 1: power
- 2: output 0..10 V DC
- 3: GND - ground



Dimensions



Mounting angle



10/2013 Subject to technical changes.