

## IPC...118T Industrial PC with touch screen – operator panel



**Summary** A PC-based unit with aluminum front panel, touch screen. Serial ports, 2x USB, 2x Ethernet. Construction with passive cooling, with no moving parts.

**Application**

- User interface (HMI) in building control systems

**Function** PC with touch screen serves as a control panel in an industrial environment. It can be used for running custom applications. For this hardware Windows Embedded operating systems can be ordered separately (see table below). On a PC with Windows Embedded can be installed RcWare SoftPLC Runtime application management. Runtime license to be ordered separately.

To control the touch screen is used, the data is accessed over an Ethernet network. Thanks to the silent operation (passive cooling) and convenient operation of the unit is also suitable for residential buildings. Solid metal body from extruded aluminum guarantees robustness and transfer heat dissipation.

The unit is mounted in a distribution board door, so front panel is only visible part. Ensure that sufficient air circulation.

See domat - *Design and application guide* for connection and application examples.

### Technical data

Type	IPC 08 118T	IPC 10 118T	IPC 12 118T	IPC 15 118T
<b>System</b>				
Processor	Intel Celeron N2930 (1.83GHz) CPU built-in/Atom E3845(1.91 GHz) for option			
Chipset	SoC			

System Memory Onboard 4GB DDR3L 1600 MHz (onboard)

**I/O ports**

USB 2× USB 3.0 type A

Serial 1 × RS-232/422/485 DB-9, COM1, Default RS-232  
1× RS-232 DB-9, COM2

Audio 1× Line out phone jack

LAN 2× GbE RJ-45

Power 3 pins terminal block connector, DC Power input  
1× 2-pin connector for power on/off button

Optional - 2× RS-232 DB-9 + 1 × Mini-PCle slot via TB-528C2ME1  
2× CAN bus via TB-528CAN2  
2× USB 2.0 type A Via TB-528U2  
2× USB 2.0 type A + 1 × Mini-PCle slot + 1 × RS-232 DB-9 + 1× Power button via TB-528C1U2P1  
UPS Battery 21 W/10.8 W/1.95 Ah(3S1P)

**Storage Space**

Slot on SD 1× SD card slot, up to 32 GB (SD card not included in the basic supply)

Slot on HDD 1× MO-297 SATA SSD bay 1× 2.5" SATA HDD bay for SATA HDD (Easily accessible slot after removing the protective cover. HDD is not included in the basic supply)

Expansion Slot 1× Internal Mini-PCle full size

**Display**

Display Type	8" TFT-LCD	10.1" TFT-LCD	12.1" TFT-LCD	15" TFT-LCD
Max. Resolution	800 × 600	1280 × 800	800 × 600	1024 × 768
Max. Color	16.2 M	16.2 M	16.2 M	16.2 M
Luminance (cd/m <sup>2</sup> )	1000	1000	1000	1050
Viewing Angle (Degree)	500:1	1000:1	600:1	800:1
Backlight Lifetime	40,000 hod	50,000 hod	50,000 hod	50,000 hod

**Touch screen**

Type Projected Capacitive Touch

Light Transmission 90%

**Power**

Power Input	9...36 V DC			
Consumption	Max: 28 W	Max: 28 W	Max: 39 W	Max: 35 W
Power Supply	12 V, 5 A (supplied)			

**Mechanical**

Construction	aluminum front bezel and chassis			
IP Rating	IP66 front panel			
Mounting	Panel mounting, VESA 75 × 75	Panel mounting, VESA 100 × 100		
Dimensions (W × H × D)	231.1 mm × 176.1 mm × 50 mm	285 mm × 189 mm × 48.9 mm	319 mm × 245 mm × 51.7 mm	410 mm × 310 mm × 54.67 mm
Net Weight (Kg)	1.9	2	2.9	4.4

**Environmental**

Operating Temperature	0...50 °C
Storage Temperature	-30...60 °C
Storage Humidity	10...90 % @ 40 °C, non-condensing
Certificate	CE / FCC Class A

**Operating System Support**

Windows Embedded Compact 7	
Windows Embedded Standard 7	
Windows 7 Pro(FES)	
Windows 7 Ultimate(FES)	
Windows Embedded 8 Standard	
Windows Embedded 8.1 Industry Pro	
Windows 10 IoT Enterprise 2015LTSB	
Optional OS	Windows 7 Embedded, Windows 10 IoT

The operating system must be ordered separately. The operating system is supplied on an SSD disk.

**Ordering Information**

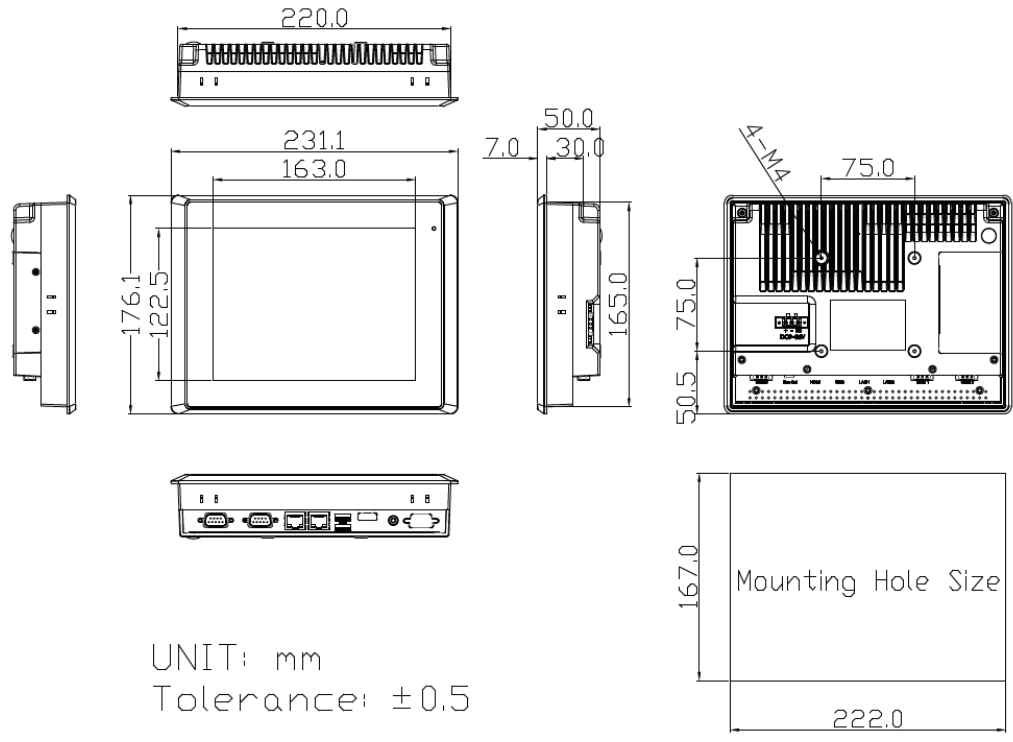
In order please specify:

	type PC	SATA HDD/SSD disk	Optional I/O ports	operating system	Runtime RCware SoftPLC
default	IPC 08 118T	-	-	-	-
default	IPC 10 118T	-	-	-	-
default	IPC 12 118T	-	-	-	-
default	IPC 15 118T	-	-	-	-

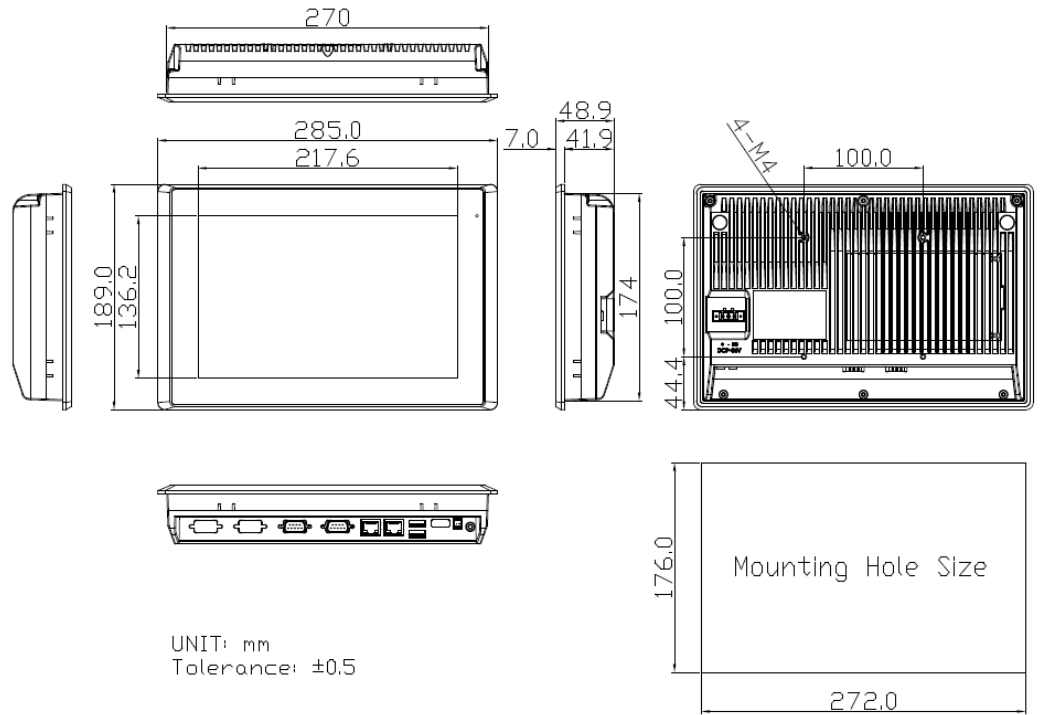
Example of non-standard order:

IPC 15 118T, 40GB SSD SATA, 2 × RS-232 DB-9, Windows 10 IoT, RC-SoftPLC Runtime

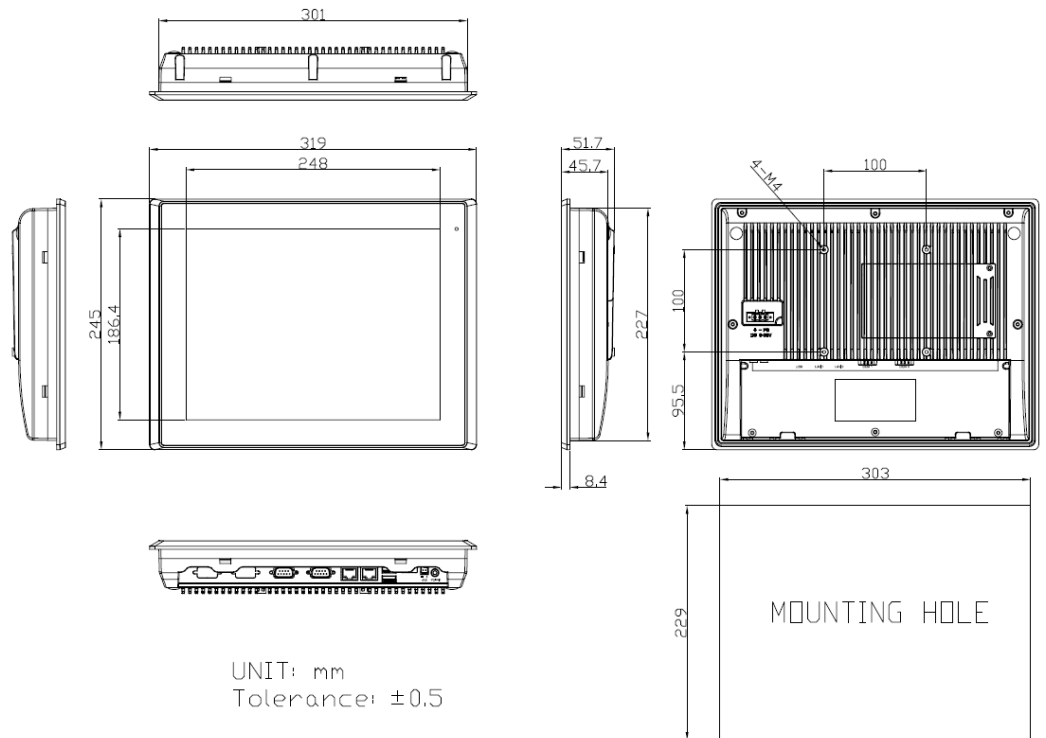
**Dimensions IPC 08 118T**



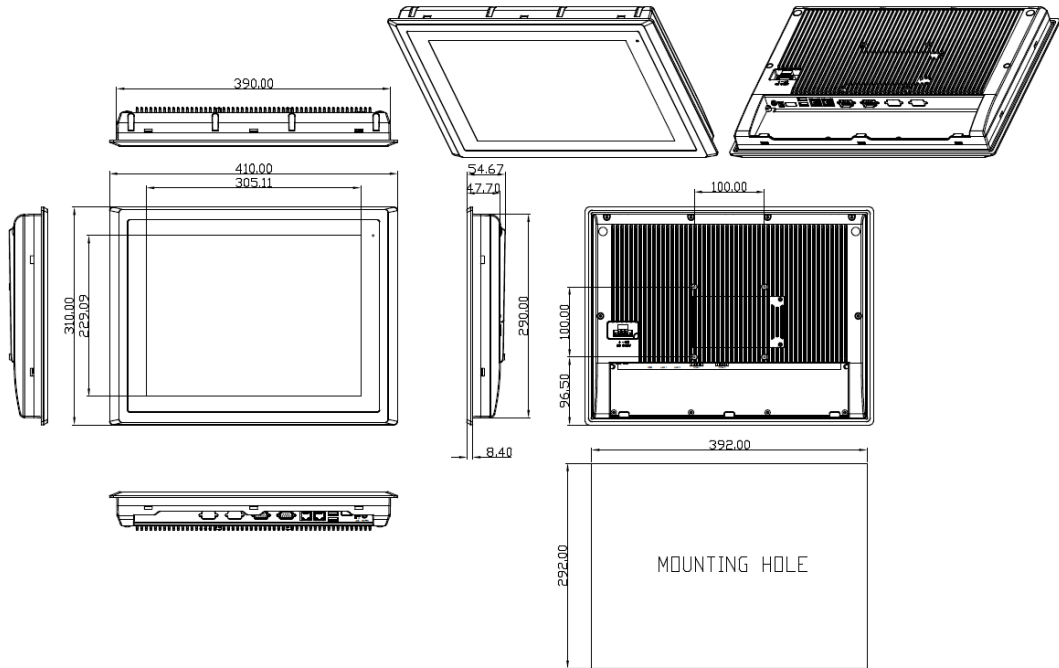
**IPC 10 118T**



**IPC 12 118T**



## IPC 015 118T



Dimensions are in *mm*.

**WEEE notice** The device contains a non-rechargeable battery which backups the real-time clock and part of the memory. After the device is not operable, please return it to the manufacturer or dispose of it in compliance with local regulations.

**Safety notice** The device is designed for monitoring and control of heating, ventilation, and air conditioning systems. It must not be used for protection of persons against health risks or death, as a safety element, or in applications where its failure could lead to physical or property damage or environmental damage. All risks related to device operation must be considered together with design, installation, and operation of the entire control system which the device is part of.

**Changes in  
versions**

06/2020 – First datasheet version.

08/2021 – Stylistic adjustments.