

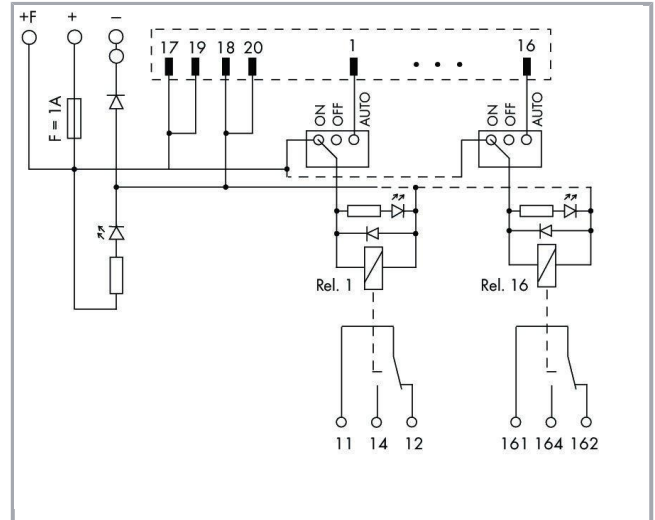
Data sheet | Item number: w704-5044

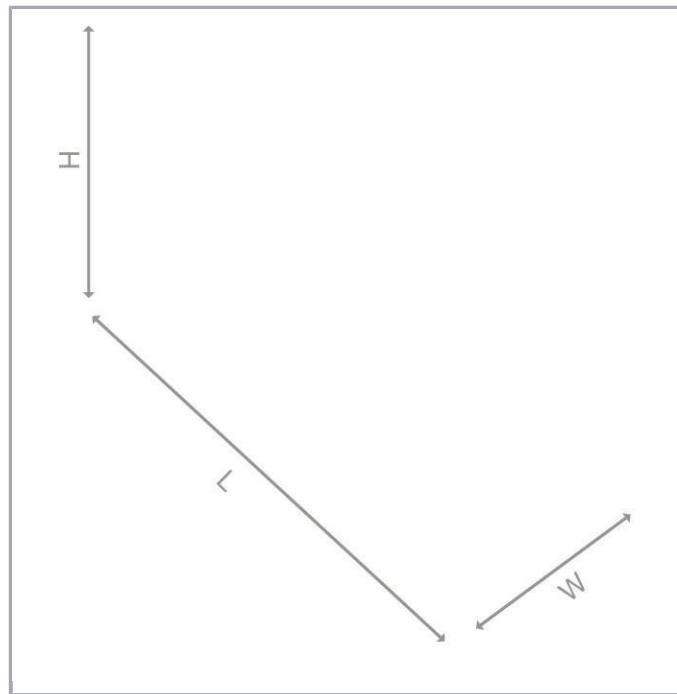
Interface module for system wiring; Pluggable connector per DIN 41651;

Male connector; 20-pole; 16-channel relay output; 1 changeover contact;

Triple-deck PCB terminal blocks; with manual operation; in mounting carrier; 2.50 mm<sup>2</sup>

<https://www.domat-int.com/en/data-sheets>





#### Technical data

In-/Outputs	16-channel relay output
Nominal operating voltage	DC 24 V
Operating voltage range	±10 %
Number of changeover/switchover contacts	1
Limiting continuous current	5 A
Max. switching voltage	AC 250 V; DC 48 V
Max. switching power (resistive)	AC 1250 VA; DC 50 W
Mechanical life	10 × 10 switching operations <sup>6</sup>
Status indication	LED green (channel) LED yellow (power supply)
Internal fuse	Supply: 1 A; Relay output: -
WAGO elementary relay	857-152
Specialty functions	Manually operated

#### Safety and protection:

Rated voltage	50 V
Rated impulse voltage	0.8 kV
Pollution degree	2

Dielectric strength, control/load circuit (AC, 1 min)	4 kVrms
Dielectric strength, load/load circuit (AC, 1 min)	1 kVrms

### Connection data

Connection type (1)	System
No. of poles	20
Pluggable connector	Pluggable connector per DIN 41651; male connector
Mating direction	Vertical
Connection type (2)	Field
No. of poles 2	48
Design 2	PCB terminal blocks, 3-deck
Connection technology 2	CAGE CLAMP®
WAGO terminal 2	WAGO 737 Series
Solid conductor (2)	0.08 ... 2.5 mm <sup>2</sup> / 28 ... 12 AWG
Fine-stranded conductor (2)	0.08 ... 2.5 mm <sup>2</sup> / 28 ... 12 AWG
Strip length (2)	5 ... 6 mm / 0.2 ... 0.24 inch
Connection type (3)	Supply
No. of poles 3	4
Design 3	PCB terminal blocks
Connection technology 3	CAGE CLAMP®
WAGO terminal 3	WAGO 236 Series
Solid conductor (3)	0.08 ... 2.5 mm <sup>2</sup> / 28 ... 12 AWG
Fine-stranded conductor (3)	0.08 ... 2.5 mm <sup>2</sup> / 28 ... 12 AWG
Strip length (3)	5 ... 6 mm / 0.2 ... 0.24 inch
Note (conductor cross-section)	12 AWG: THHN, THWN

### Geometrical Data

Width	111 mm / 4.37 inch
Height from upper-edge of DIN-35 rail	65 mm / 2.559 inch
Depth	105 mm / 4.134 inch

### Mechanical data

Type of mounting	DIN-35 rail
Housing design	Mounting carrier

### Material Data

Contact material (relay)	AgSnO <sub>2</sub>
Weight	319 g

#### Environmental Requirements

Surrounding air (operating) temperature	-25 ... 40 °C
Surrounding air (storage) temperature	-40 ... 70 °C
Relative humidity	≤ 85% (non condensing)

#### Commercial data

Product Group	30 ()
Packaging type	BOX
Country of origin	FR
GTIN	4045454980160
Customs Tariff No.	85369010000

Subject to changes.

Domat control system

WAGO Kontakttechnik GmbH & Co. KG  
(manufacturer)

Do you have any questions about our products?

We are always happy to take your call at +420 461  
100 666.