

IPC00160 Industrial PC – process station



Summary A PC-based control unit to be used with I/O modules, metal body. Five serial ports, 4 × USB, Ethernet, no display. Fanless construction.

Applications ▪ Home and industrial control unit

Function The IPC00160 can host up to 5 buses with I/O modules or 3rd party devices. Using the Ethernet port, the unit communicates over a technological network with other process stations, and / or SCADA management station. Standard peripherals (printers, modems, cameras) can be connected on USB bus.

Default storage media are one or two CF cards and 2.5" HDD. In this case standard operating system can be used (Windows 7/XP/ Embedded/Linux).

The unit is mounted on the panel base plate or inner side of the distribution board door. Ensure that sufficient air circulation is provided. For proper galvanic separation of the RS485 I/O bus (if used), use domat R012 converter.

See *domat - Technical application* notes for connection and application examples.

Technical data

System

Processor	Intel Celeron® Processor N2930 1.83 GHz
System Chipset	SoC
System Memory	4 GB DDR3 RAM
Outside I/O port	2 × USB 3.0 type A 4 × USB 2.0 type A 2 × GbE LAN RJ-45 2 × RS-232 DB-9, COM2 and COM3 1 × RS-232/422/485 DB-9, COM1 (Default RS-232) 1 × Audio Line Out 1 × HDMI Port (off hole, no silk printing, with cover) 1 × VGA 1 × 3-pin DC Power input terminal 1 × 2-pin connector for power on/off button
Storage	1 × 2.5" SATA2 HDD Bay
Power Input	9...36 V DC
Power Consumption	Max: 19 W
Power Supply	12 V, 5 A (supplied)
Expansion Slots	1 × Mini-PCIe slot full size 1 × Mini-PCIe slot full size (shared with mSATA)
Operating System support	Windows Embedded 8.1 Industry Pro, Windows 7 Professional for Embedded, Windows Embedded Standard 7, Windows Embedded 8 Standard Windows 10 IoT Enterprise 2016 LTSB Entry
Optional OS	Windows 7 Embedded, Windows 10 IoT the operating system must be ordered separately. The operating system is supplied on an SSD disk

Mechanical

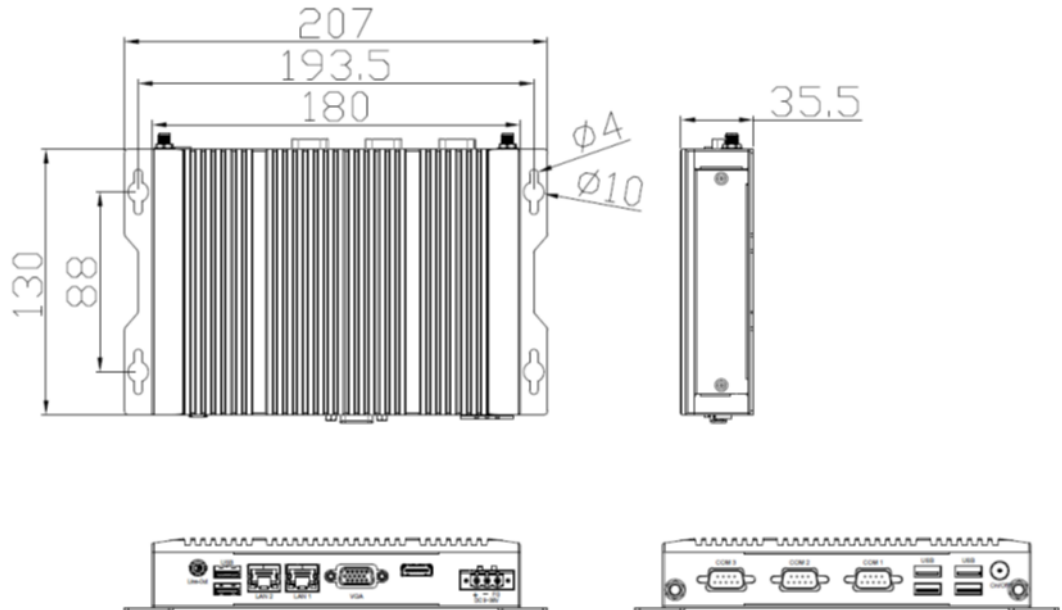
Construction	plating Titanium Gray Aluminum Heatsink and Black Steel Chassis
IP rating	IP30
Color	RAL 9007, RAL 9005
Mounting	wall mount
Dimension	207 mm × 130 mm × 35.5 mm
Net weight	1 kg

Environmental

Operating Temperature	0...50 °C
-----------------------	-----------

Storage Temperature	-30...70 °C
Storage Humidity	10...90 % at 40 °C non-condensing
Certificate	CE / FCC Class A

Dimensions



All dimension are in *mm*.

WEEE notice The device contains a non-rechargeable battery which backups the real-time clock and part of the memory. After the device is not operable, please return it to the manufacturer or dispose of it in compliance with local regulations.

Safety notice The device is designed for monitoring and control of heating, ventilation, and air conditioning systems. It must not be used for protection of persons against health risks or death, as a safety element, or in applications where its failure could lead to physical or property damage or environmental damage. All risks related to device operation must be considered together with design, installation, and operation of the entire control system which the device is part of.

**Changes in
versions**

06/2020 – First datasheet version.

08/2021 – Stylistic adjustments.