

ME220

Triac amplifier



Summary

ME220 is a two-triac module, controlled by two independent 24 V AC signals. It amplifies the 24 V AC PWM output signal from an IRC controller or room unit (UI..., UX..., UC..., FC..., US...), which are able to control maximum 2 actuators per output only.

Application

- Control of more radiators, fan coils, or any other heating or cooling circuits by a single controller.

Function

In a plastic casing suitable for mounting into a flush box there is a board with terminals, two triacs and other components. When an input is energized the corresponding triac opens and gives 24 V AC control voltage for the actuators at the output terminals.

If more radiators or cooling panels are situated in a single space and controlled together, some of them may be hot while others stay cold. This is due to the characteristics of the actuator and valve set together with the hydraulic parameters of the installation, and it does not indicate wrong function of the controller or of the triac amplifier.

Technical data

Control signal	24 V AC
Input current	20 mA
Working temperature	0...70 °C
Number of outputs (triacs)	2
Output load	max. 2 A per output, e.g. 4 thermic actuators STA71
Terminals	screw terminals, wire 0.14...1 mm ²
Dimensions	49 × 49 × 15 mm

Terminals

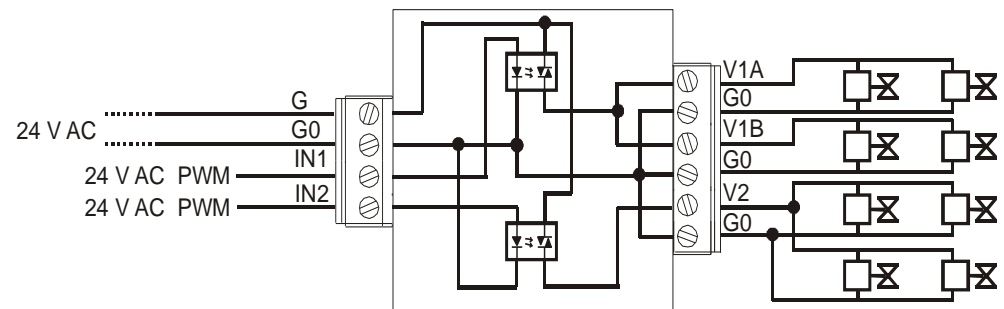
Inputs (screw terminals)

G	power 24 V AC
G0	common ground
IN1	control input for triac 1 (24 V AC)
IN2	control input for triac 2 (24 V AC)

Outputs (screw terminals)

V1A	triac 1
G0	common ground
V1B	triac 1
G0	common ground
V2	triac 2
G0	common ground

Connection



Do not overload the outputs – maximum triac load is 2 A. Note that the starting currents of cold thermic actuators may be higher than the nominal currents when the body is partially heated.

The V1 output is brought to two terminals (V1A and V1B) for more comfortable installation. Both inputs (IN1 and IN2) may be connected in parallel, and the module may then control up to 8 valves in one sequence (e.g. heating).